

FLA 2 model E in casing E

Functionality dressed in fire design

FEATURES

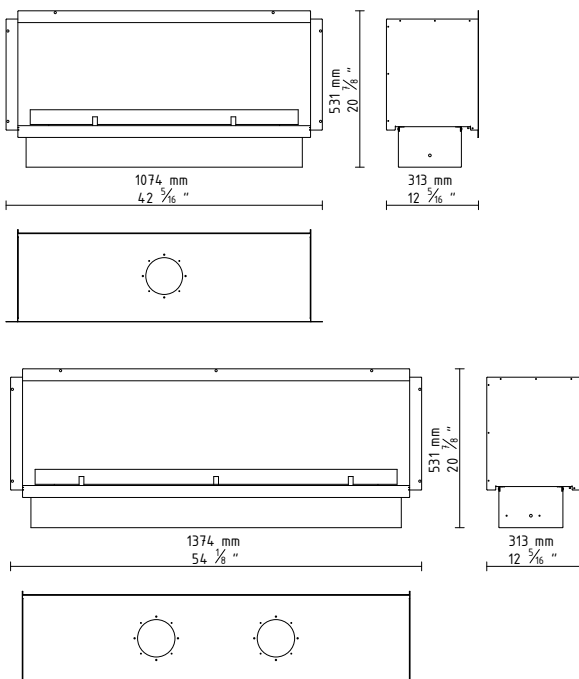
- BEV* Technology - no contact between fuel and flame
- Automatic refill system
- LED Control panel
- Advanced safety sensors
- 2 levels of flame height
- Possibility of joining modules
- Possibility of remote service in case of errors
- No hard connection required
- Optional remote control
- Optional frame



TECHNICAL DATA

	FLA 2 model E in Casing E (Length 990)	FLA 2 model E in Casing E (Length 1290)
Capacity	3,5 L / [US] 0,9 gal / [UK] 0,8 gal	4,5 L / [US] 1,2 gal / [UK] 1,0 gal
Burning time	4,0 - 6,0 h	3,5 - 6,5 h
Heat output	3,7 - 5,6 kW / 12778 - 19167 BTU	4,4 - 8,1 kW / 14908 - 27686 BTU
Net weight	28 kg / 62 lbs	33 kg / 61 lbs
Air circulation	min. 1/h	min. 1/h
Minimum room size	56,2 m ³ or please contact our Project Department for details	81,1 m ³ or please contact our Project Department for details
Power supply	230 V	230 V
Finish	FIREPLACE: black powder coating CASING: black powder coating OPTIONAL FRAME: black powder coating / stainless steel	FIREPLACE: black powder coating CASING: black powder coating OPTIONAL FRAME: black powder coating / stainless steel

DIMENSIONS



INSTALLATION REQUIREMENTS

